

Made for Motion

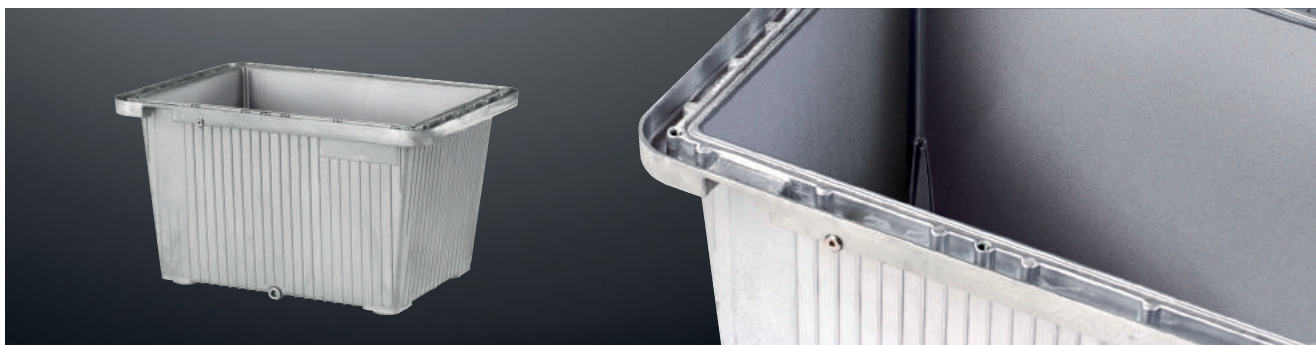


Hydraulic Components

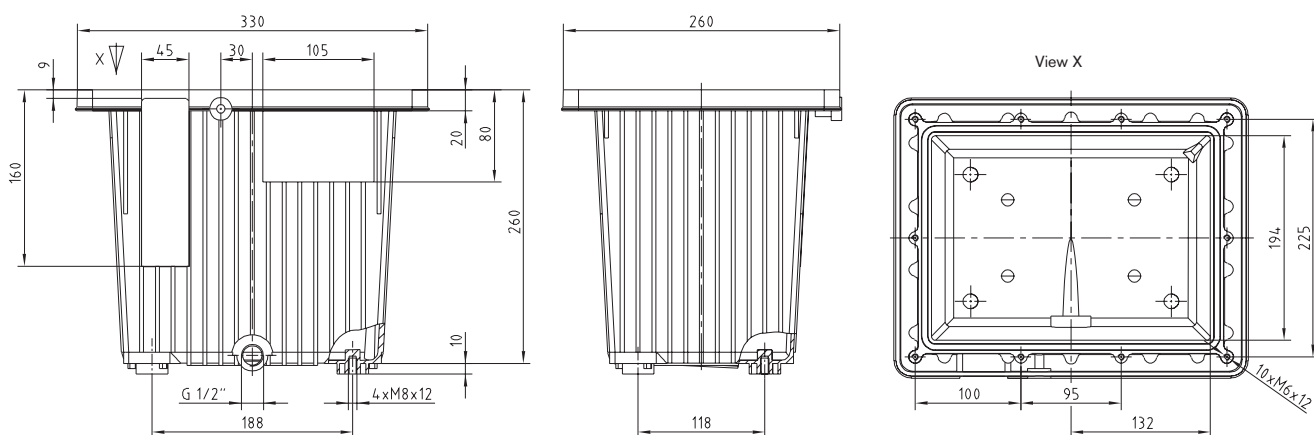
Bellhousings
Damping elements
Cooling systems
Oil tanks

ALUMINIUM TANK BAK HYDRAULIC COMPONENTS

Tank with oil collecting groove

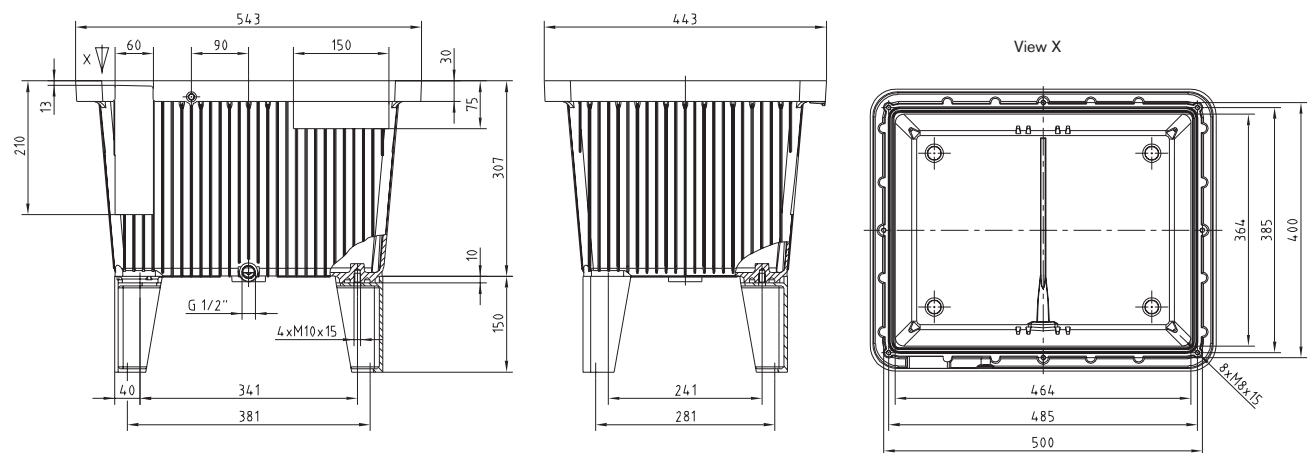


Tank with oil collecting groove BAK 13



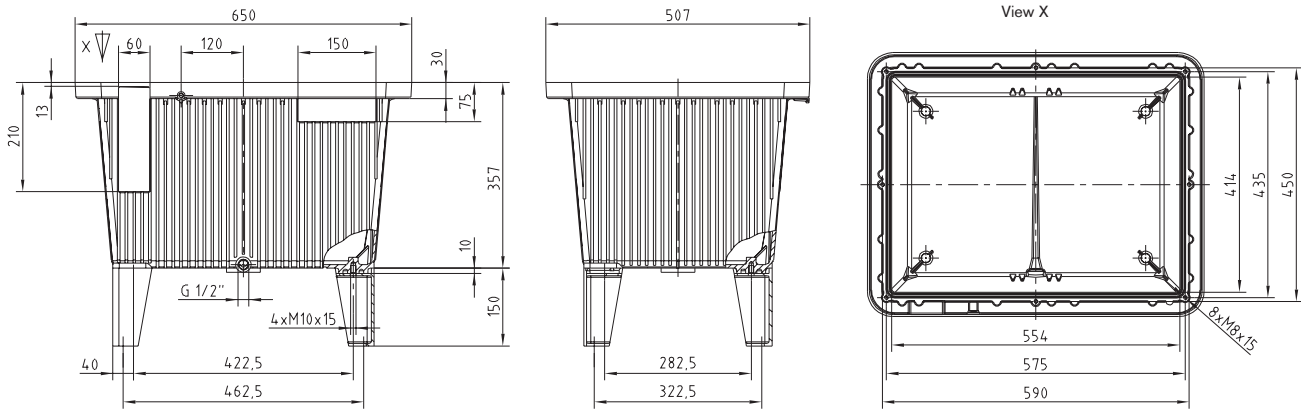
Effective volume	Gasket	Tightening torque of drain plug	Max. media temperature	Max. permissible pressure
11.5 L	RS 13 NBR	G 1/2" = 80 Nm	100 °C	0.5 bar

Tank with oil collecting groove BAK 44



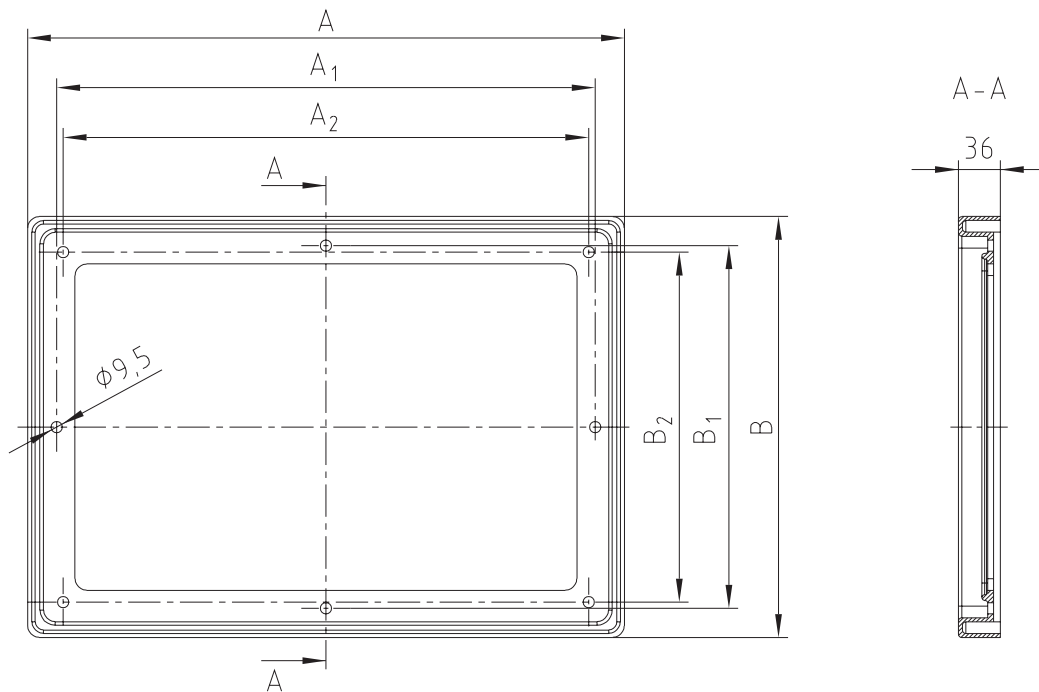
Effective volume	Gasket	Tightening torque of drain plug	Max. media temperature	Max. permissible pressure
40 L	RS 40/44 NBR	G 1/2" = 80 Nm	100 °C	0.5 bar

Tank with oil collecting groove BAK 70



Effective volume	Gasket	Tightening torque of drain plug	Max. media temperature	Max. permissible pressure
63 L	RS 63/70 NBR	G 1/2" = 80 Nm	100 °C	0.5 bar

Gasket with oil collecting groove RS-O (as an alternative to BAK with oil collecting groove)

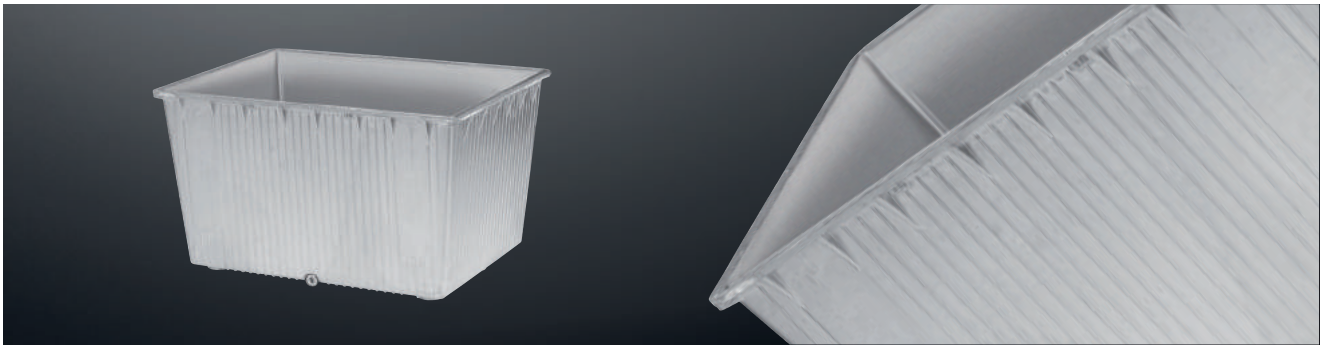


Type	For tank	A	A1	A2	B	B1	B2
RS-O 27	BAK 27	510	460	449	360	310	299
RS-O 40	BAK 40	550	500	485	451	400	385
RS-O 63	BAK 63	655	590	575	518	450	435

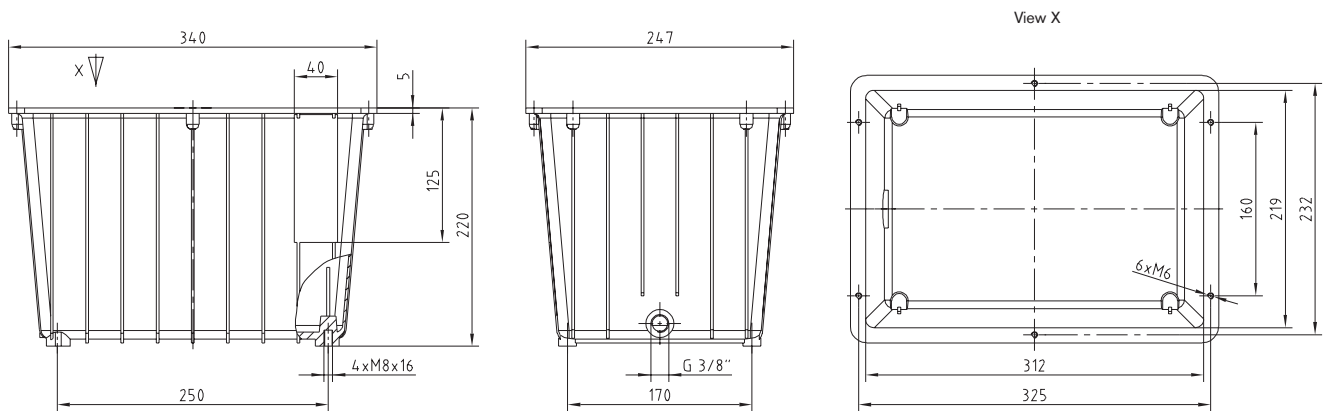
* see page 62 et seqq.
Max. perm. temperature 90 °C

ALUMINIUM TANK BAK HYDRAULIC COMPONENTS

Tank without oil collecting groove

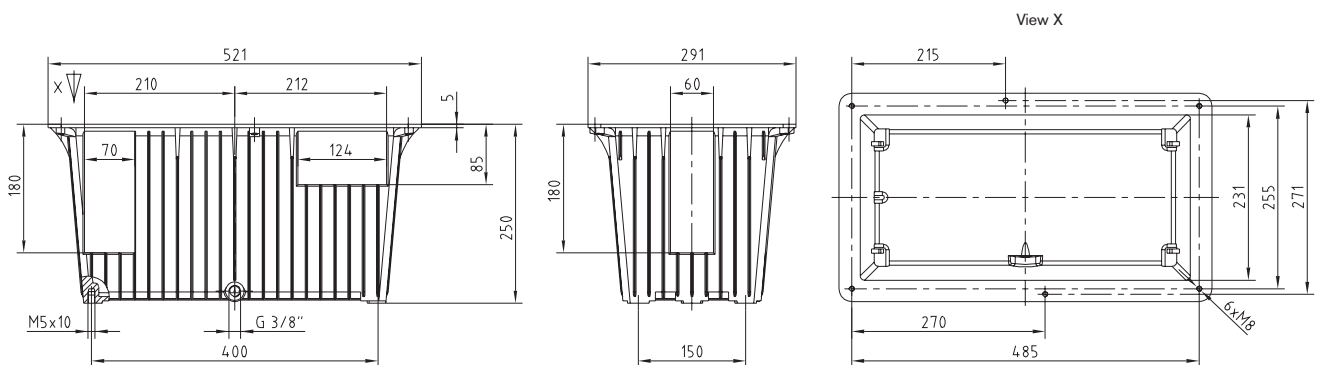


Tank without oil collecting groove BAK 10



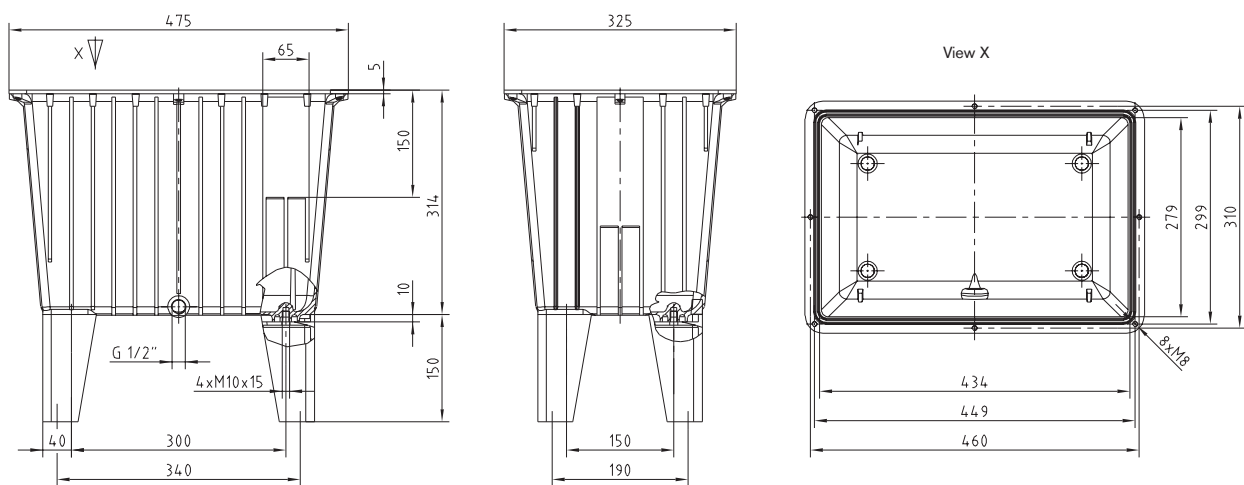
Effective volume	Gasket	Tightening torque of drain plug	Max. media temperature	Max. permissible pressure
9.5 L	FD 10	$G \frac{3}{8}'' = 50 \text{ Nm}$	100 °C	0.5 bar

Tank without oil collecting groove BAK 20



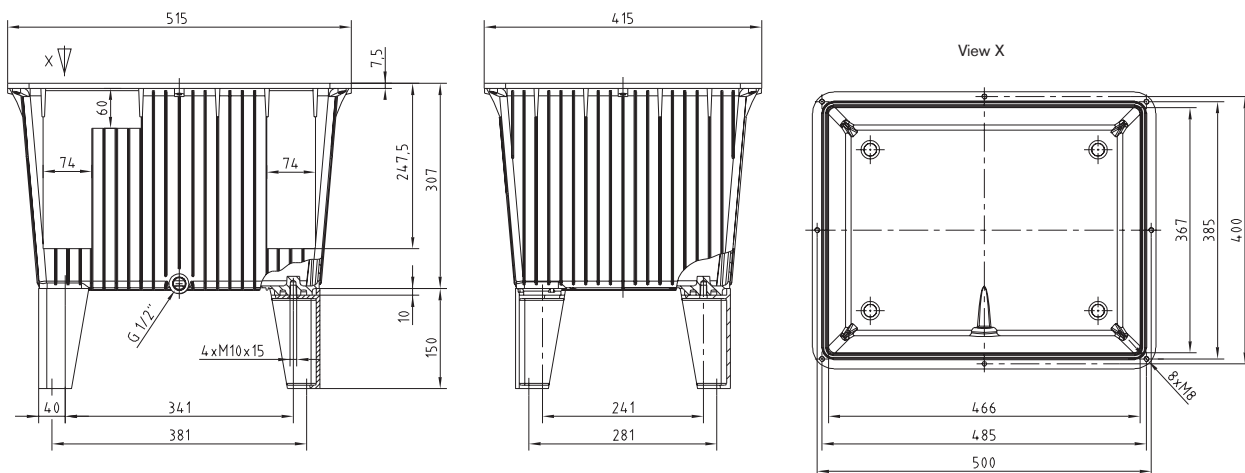
Effective volume	Gasket	Tightening torque of drain plug	Max. media temperature	Max. permissible pressure
18 L	FD 20	$G \frac{3}{8}'' = 50 \text{ Nm}$	100 °C	0.5 bar

Tank without oil collecting groove BAK 27



Effective volume	Gasket	Tightening torque of drain plug	Max. media temperature	Max. permissible pressure
27 L	RS 30 NBR	G 1/2" = 80 Nm	100 °C	0.5 bar

Tank without oil collecting groove BAK 40

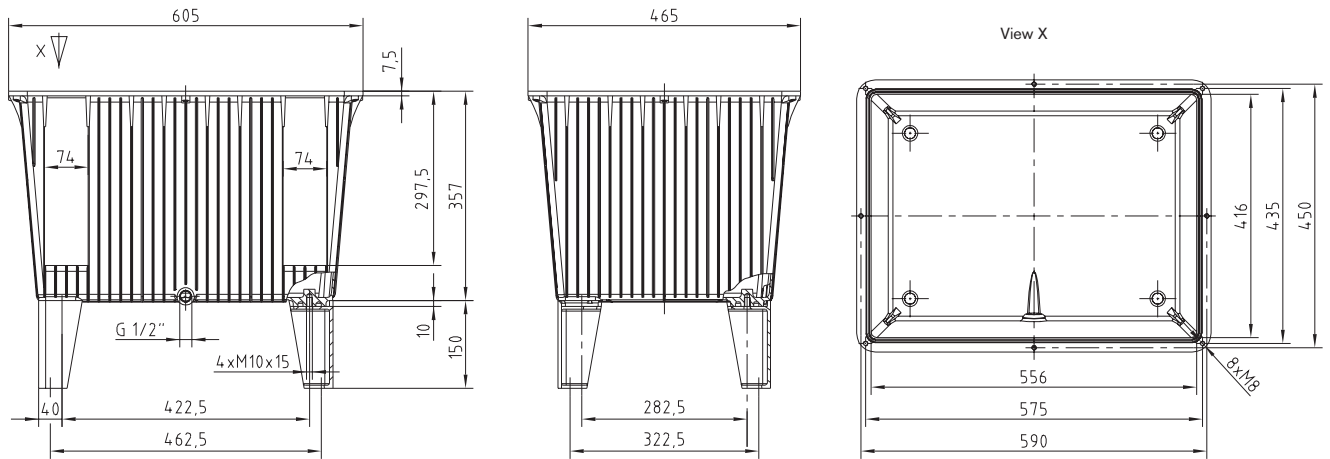


Effective volume	Gasket	Tightening torque of drain plug	Max. media temperature	Max. permissible pressure
40 L	RS 40/44 NBR	G 1/2" = 80 Nm	100 °C	0.5 bar

ALUMINIUM TANK BAK HYDRAULIC COMPONENTS

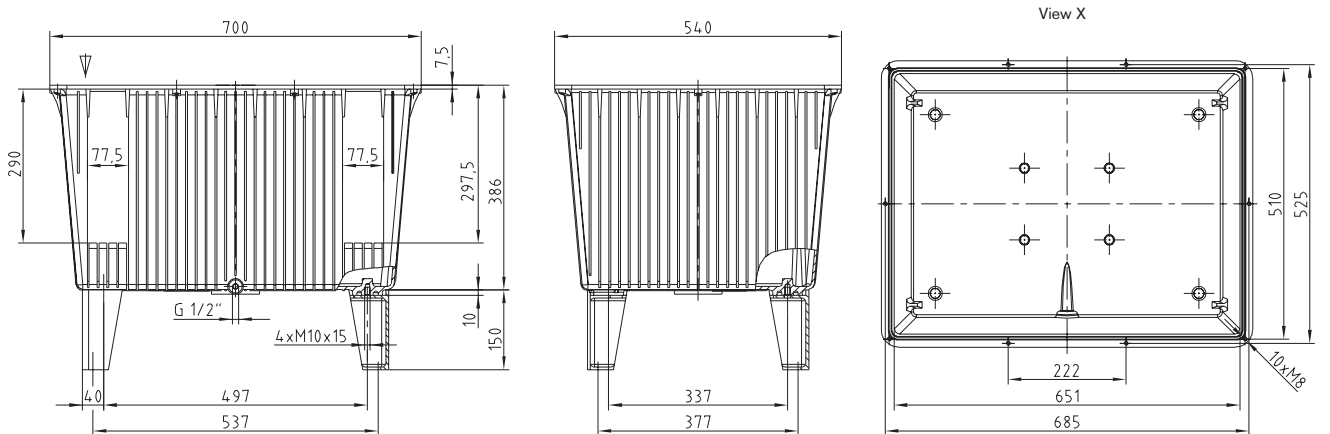
Tank without oil collecting groove

BAK 63

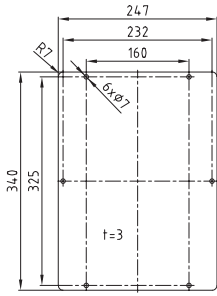


Effective volume	Gasket	Tightening torque of drain plug	Max. media temperature	Max. permissible pressure
63 L	RS 63/70 NBR	G 1/2" = 80 Nm	100 °C	0.5 bar

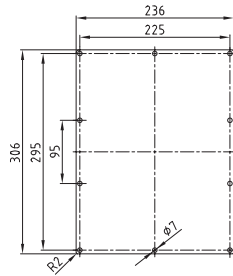
BAK 100



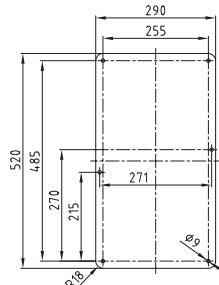
Effective volume	Gasket	Tightening torque of drain plug	Max. media temperature	Max. permissible pressure
95 L	RS 100 NBR	G 1/2" = 80 Nm	100 °C	0.5 bar



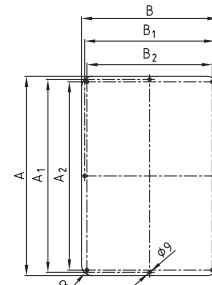
BAK 10 - ST 10
St: 3 mm thick; 1.9 kg



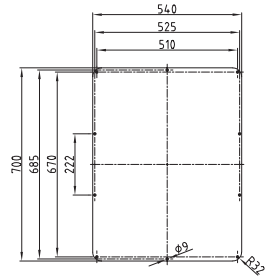
BAK 13 - ST 13 / AL 13
St: 4 mm thick; 2.2 kg
St: 5 mm thick; 1.0 kg



BAK 20 - ST 20 / AL 20
St: 5 mm thick; 5.8 kg
St: 5 mm thick; 5.8 kg



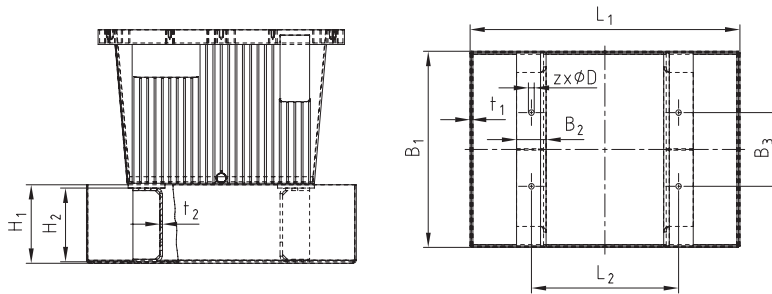
BAK 30-70
ST 30-70
AL 30-70



BAK 100 - ST 100 / AL 100
St: 6 mm thick; 17.8 kg
Al: 8 mm thick; 8.2 kg

Tank cover made of steel and aluminium, accessories for aluminium tank

Cover		For tank	Dimensions [mm]							Cover thickness		Weight [kg]	
Steel	Alu		A	A ₁	A ₂	B	B ₁	B ₂	R	St	Al	St	Al
ST 30	AL 30	BAK 30	475	460	449	325	310	299	25	5	5	6	2.1
ST 44	AL 44	BAK 40/BAK 44	515	500	485	415	400	385	32	5	8	8.5	4.6
ST 70	AL 70	BAK 63/BAK 70	605	590	575	465	450	435	32	5	8	10.5	6.1

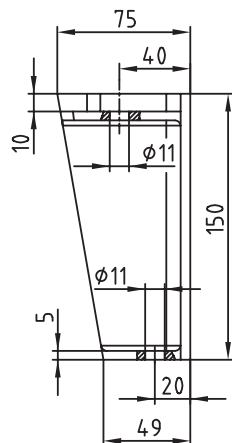


Oil sump pan BAKW made of steel for KTR aluminium tanks BAK/available acc. to WHG (Water Resources Act)

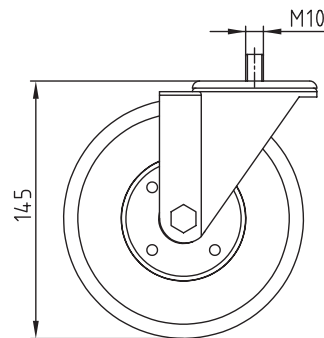
Oil sump pan	For tank	Volume of oil sump pan	Dimensions [mm]											Available from stock	
			L ₁	L ₂	B ₁	B ₂	B ₃	H ₁	H ₂	t ₁	t ₂	z	D	Standard	WHG
BAKW 13	BAK 13	11.8 l	380	188	310	60	118	110	100	3	3	4	9	●	-
BAKW 20	BAK 20	20 l	570	400	350	60	150	110	100	3	3	4	12	●	●
BAKW 30	BAK 30	33 l	550	300	400	60	150	160	150	3	5	4	12	●	●
BAKW 44	BAK40/BAK 44	45 l	600	341	500	60	241	160	150	3	5	4	12	●	●
BAKW 70	BAK 63/BAK 70	63.5 l	730	422.5	580	60	282.5	160	150	3	5	4	12	●	●
BAKW 100	BAK 100	104 l	920	497	770	60	337	160	150	3	5	4	12	●	-

Accessories

Tank feet BF 150 made of cast aluminium



Wheels LR 150 and LR 150 F with lock

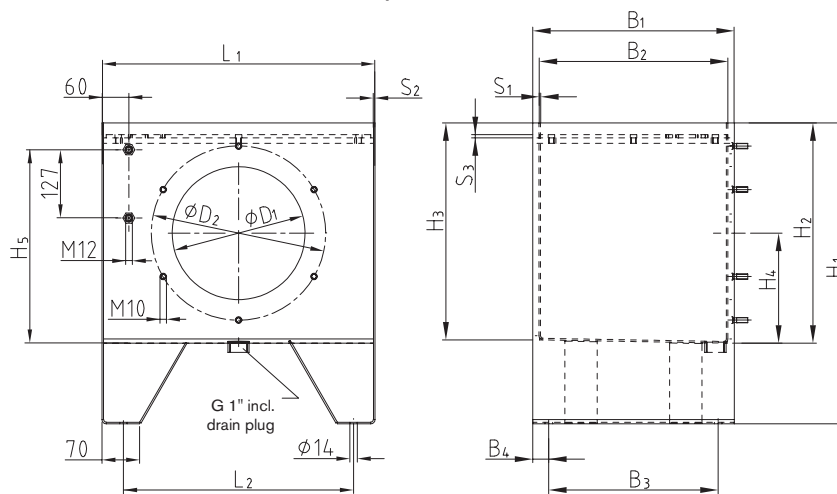


STEEL TANK BSK HYDRAULIC COMPONENTS

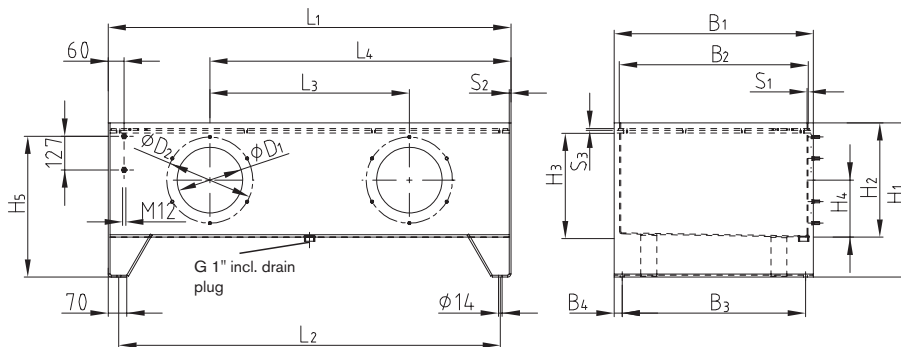
Series BSK



up to NG 200



from NG 250



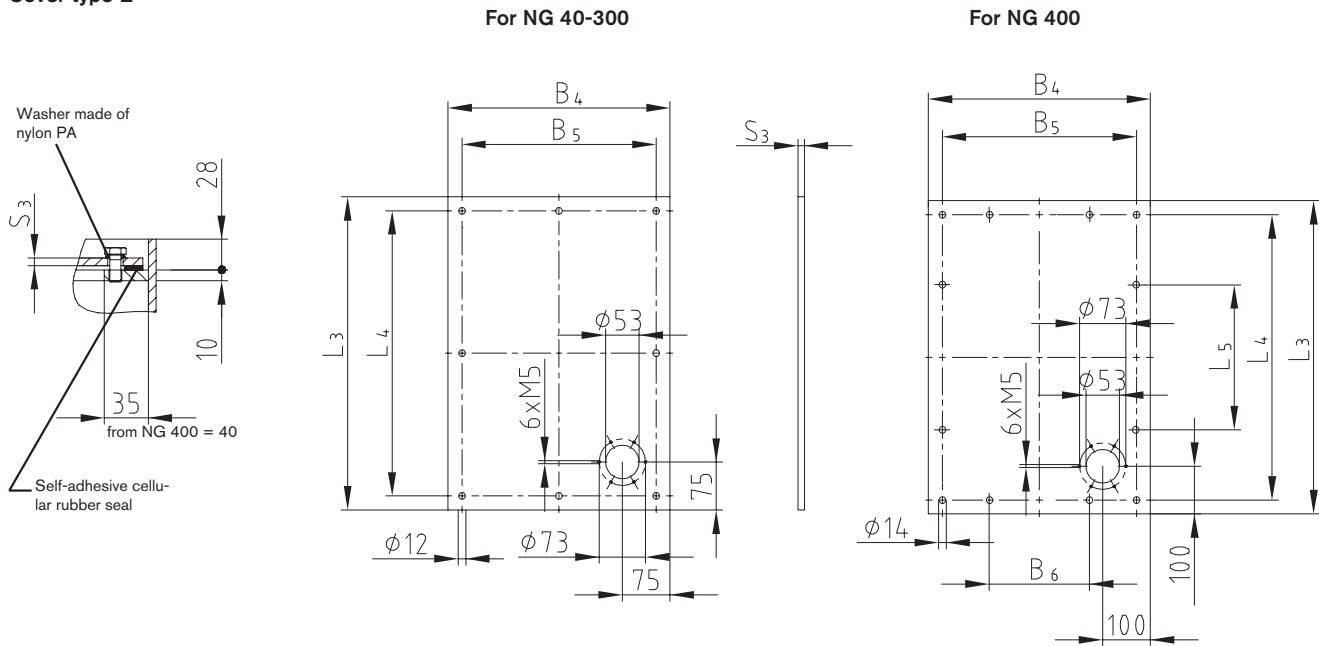
Series BSK, NG 40 - 400

Order description	Effective vol. [Litre]	Weight [kg]	Tank dimensions [mm]																	Cleaning cover		Tank complete available from stock tank cover design E		
			L ₁	L ₂	L ₃	L ₄	B ₁	B ₂	B ₃	B ₄	H ₁	H ₂	H ₃	H ₄	H ₅	D ₁	D ₂	S ₁	S ₂	S ₃	No.	Type	Standard t = S ₃	Reinforced t = 10
BSK 40	38	34	508	428	-	-	375	365	315	30	430	280	273	140	230	195	250	3	3	6	1	V 250-4	●	
BSK 63	59	38	508	428	-	-	375	365	315	30	560	410	403	205	360	248	324	3	3	6	1	V 324-6	●	
BSK 100	92	70	633	553	-	-	474	460	414	30	560	407	399	205	357	248	324	4	4	6	1	V 324-6	●	
BSK 160	152	86	810	730	-	-	604	590	544	30	560	410	400	205	360	248	324	4	4	6	1	V 324-6	●	
BSK 200	184	101	900	820	-	-	654	640	594	30	560	410	399	205	360	248	324	4	4	6	1	V 324-6	●	On request
BSK 250	235	138	1010	930	410	710	704	690	644	30	580	430	418	215	380	248	324	4	4	7	2	V 324-6	●	
BSK 300	272	144	1208	1128	410	809	714	700	654	30	580	412	400	206	362	248	324	4	4	7	2	V 324-6	●	
BSK 400	375	201	1514	1434	750	1132	749	735	689	30	580	430	417	215	380	248	324	4	7	7	2	V 324-6	●	

● = Standard programme available from stock and in short term.

Ordering example:	BSK	250	E
		KTR standard tank	Nominal size of tank

Tank cover Cover type E



Cover type "E"								
NG	Dimensions [mm]							Number of bores
	L ₃	L ₄	L ₅	B ₄	B ₅	B ₆	S ₃	
40	492	448	-	349	305	-	6	8x
63	492	448	-	349	305	-	6	8x
100	615	571	-	442	398	-	6	8x
160	792	748	-	572	528	-	6	8x
200	882	838	-	622	578	-	6	8x
250	992	948	-	672	628	-	7	8x
300	1190	1146	-	682	638	-	7	8x
400	1490	1440	480	717	667	222	7	12x

Scope of delivery:

- bore pattern for filler filter KE02
- bore pattern for oil level indicator
- cleaning cover incl. cap nut and gasket
- cover seal NBR 15 x 5 self-adhesive
- cover fastening screws
- oil drain plug G 1"

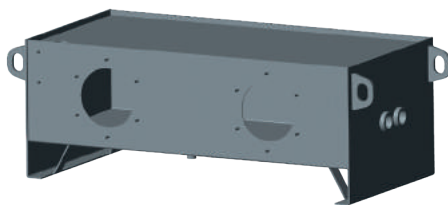
Coating:

- Our tanks are primed with mineral oil-resistant 2K-EP paint as a standard

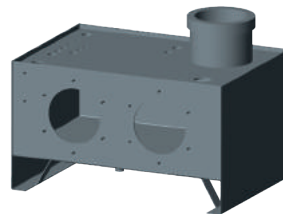
Please contact us:

- Tanks are available without tank cover on request
- We will be pleased to paint your tanks as specified by you
- We will be pleased to do remachining (e. g. additional sleeves, drilling holes, etc.)
- Accessories such as fillers, oil level indicators, heaters, etc. can be additionally ordered from the KTR delivery range
- We are able to produce all tanks made of stainless steel

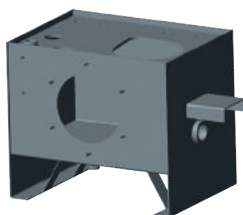
Tank BSK with remachining



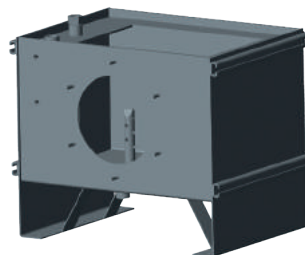
BSK 400



BSK 250



BSK 63



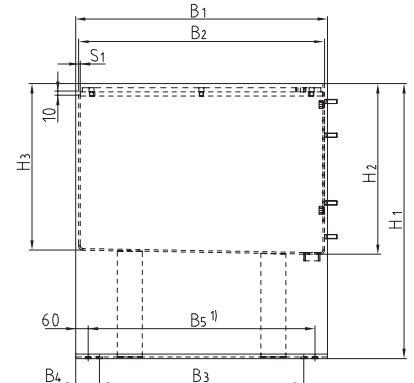
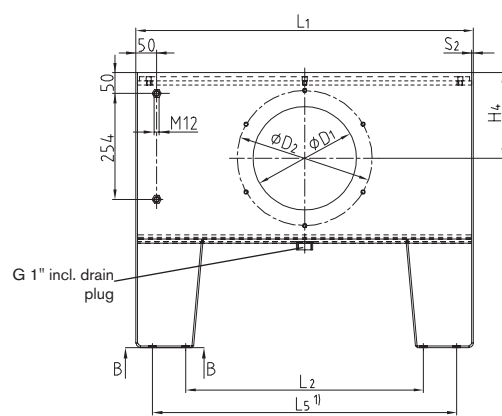
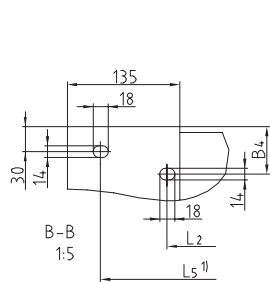
BSK 160

STEEL TANK BNK HYDRAULIC COMPONENTS

Series BNK type A (new) DIN24339

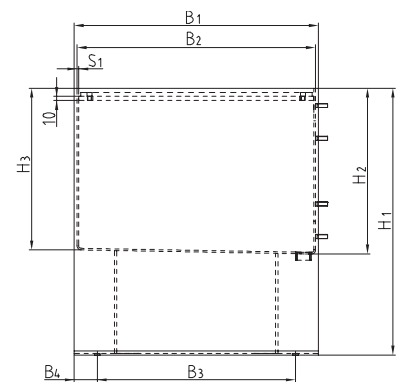
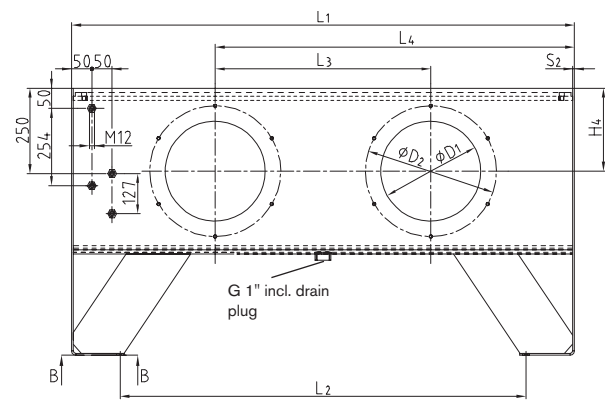
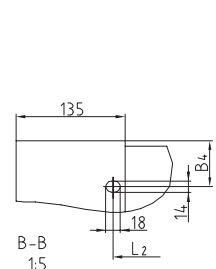


up to NG 250



¹⁾ Fastening holes for BSK oil sump pans

from NG 400

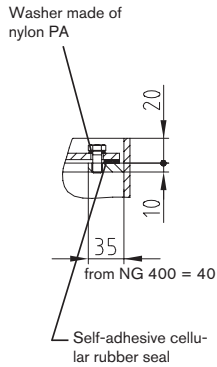


Series BNK design A, NG 63 - 2000																										
Order description	Material number	Effective vol. [Litres]	Weight [kg]	Tank dimensions [mm]																	Cleaning cover		Bore pattern for oil level indicator			
				L ₁	L ₂	L ₃	L ₄	L ₅	B ₁	B ₂	B ₃	B ₄	B ₅	H ₁	H ₂	H ₃	H ₄	D ₁	D ₂	S ₁	S ₂	No.	Type	No.		
NG																										
BNK 63 A/E	270635109000	59	47	508	308	-	-	428	375	365	285	45	315	660	410	404	205				3	3	1		1	KO03
BNK 100 A/E	271005109000	92	77	633	393	-	-	553	474	460	360	57	414	660	410	402	205				4	4	1		1	KO03
BNK 160 A/E	271605109000	152	109	810	570	-	-	730	604	590	490	57	544	660	410	400	205	248	324		4	4	1	V 324-6	1	KO03
BNK 250 A/E	272505109000	235	149	1010	770	-	-	930	704	690	590	57	644	680	430	418	215				4	4	1		1	KO03
BNK 400 A/E	274005109000	375	230	1512	1274	750	1131	1434	749	735	635	57	689	680	430	417	215				4	6	2		1	KO03
BNK 630 A/E	276305109000	595	300	1512	1274	750	1131	-	959	945	845	57	-	770	520	504	255				4	6	2		1	KO03
BNK 800 A/E	278005109000	752	382	2012	1774	1000	1506	-	914	900	800	57	-	770	520	504	255				5	6	2		1	KO03
BNK 1000 A/E	271015109000	945	445	2012	1774	1000	1506	-	1079	1065	965	57	-	800	550	531	265				5	6	2		1	KO03
BNK 1250 A/E	271255109000	1180	532	2012	1774	1000	1506	-	1349	1335	1235	57	-	800	550	527	265	383	449		5	6	2	V 449-6	1	KO03
BNK 1600 A/E	271615109000	1590	680	2016	1774	1000	1508	-	1444	1430	1330	57	-	900	650	625	325				6	8	2		2	KO03 + KO02
BNK 2000 A/E	272015109000	1960	805	2316	2070	1150	1733	-	1564	1550	1450	57	-	900	650	623	325				6	8	2		2	KO03 + KO02

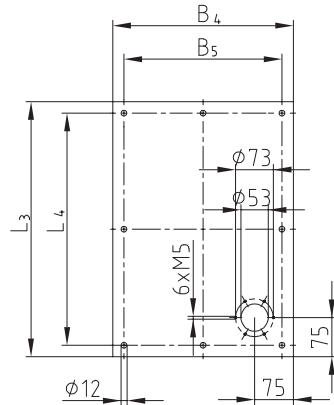
█ = modified or added

Ordering example:	BNK	250	A	E
	KTR standard tank	Nominal size of tank	Tank design "A"	Cover type "E"

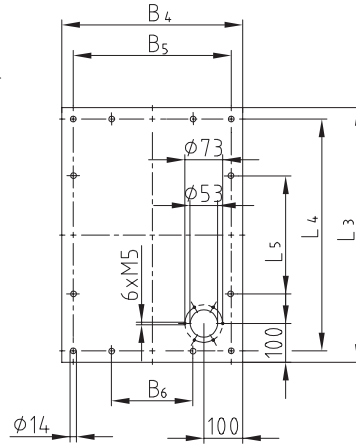
Tank cover Cover type E



For NG 63-250



For NG 400-2000



Cover type "E" t=10 mm							
NG	Dimensions [mm]						Number of bores
	L3	L4	L5	B4	B5	B6	
63	492	448	-	349	305	-	8
100	615	571	-	442	398	-	8
160	792	748	-	572	528	-	8
250	992	948	-	672	628	-	8
400	1490	1440	480	717	667	222	12
630	1490	1440	480	927	877	292	12
800	1990	1940	647	880	830	277	12
1000	1990	1940	647	1045	995	332	12
1250	1990	1940	647	1315	1265	422	12
1600	1990	1940	647	1408	1358	478	12
2000	2290	2240	1120	1528	1478	558	14

Scope of delivery:

- bore pattern for filler filter KE02
- bore pattern for oil level indicator
- cleaning cover incl. cap nut and gasket
- cover seal NBR 15 x 5 self-adhesive
- cover fastening screws
- oil drain plug G 1"

Coating:

- Our tanks are primed with mineral oil-resistant 2K-EP paint as a standard

Please contact us:

- Tanks are available without tank cover on request
- We will be pleased to paint your tanks as specified by you
- We will be pleased to do remachining (e. g. additional sleeves, drilling holes, etc.)
- Accessories such as fillers, oil level indicators, heaters, etc. can be additionally ordered from the KTR delivery range
- We are able to produce all tanks made of stainless steel

Series BNK design B



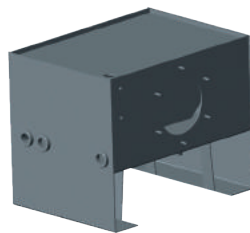
Special options:

- Tank with oil collecting groove and cover with cover welded on with dripping edge
- This tank is available on request. Please contact us.

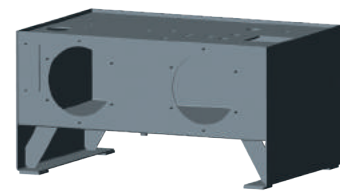
Tank BNK with remachining



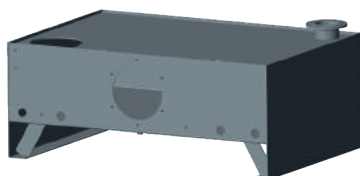
BNK 1000



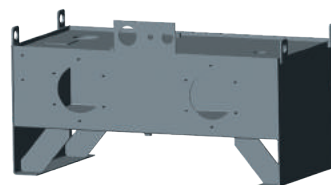
BNK 100



BNK 400



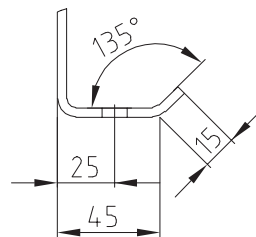
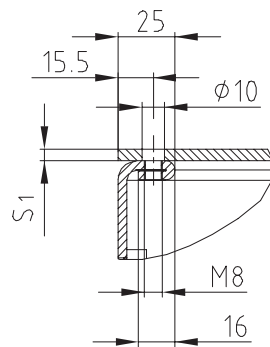
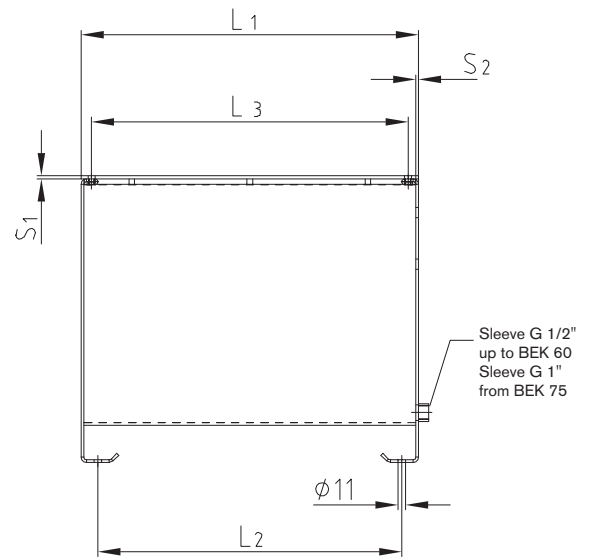
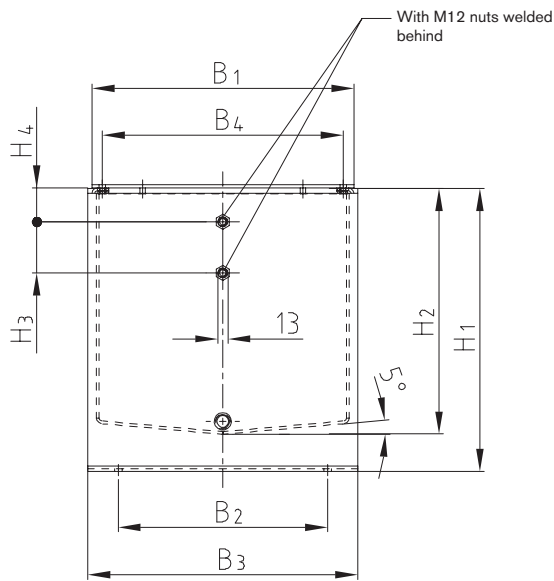
BNK 160



BNK 630

STEEL TANK BEK HYDRAULIC COMPONENTS

Series BEK



Series BEK, NG 12 - 300													
Order description	Effective vol. [Litre]	Weight [kg]	Tank dimensions [mm]										Tank complete available from stock
			NG	L1	L2	B1	B2	B3	H1	H2	H3	H4	S2
BEK 12	16	17	310	260	298	220	310	275	220	76	50	4	●
BEK 20	26	23	400	350	298	220	310	325	270	76	50	4	●
BEK 35	40	30	470	420	298	220	310	400	345	76	50	4	●
BEK 50	58	40	500	450	388	310	400	420	365	76	50	4	●
BEK 60	69	43	550	500	388	310	400	445	390	76	50	4	●
BEK 75	85	46	550	500	388	310	400	530	475	127	50	4	●
BEK 100	109	54	700	650	388	310	400	530	475	127	50	4	●
BEK 150	175	79	750	700	488	410	500	620	565	127	80	4	●
BEK 225	267	115	900	850	588	510	600	650	595	127	80	4	●
BEK 300	339	127	900	850	688	610	700	700	645	127	80	4	●

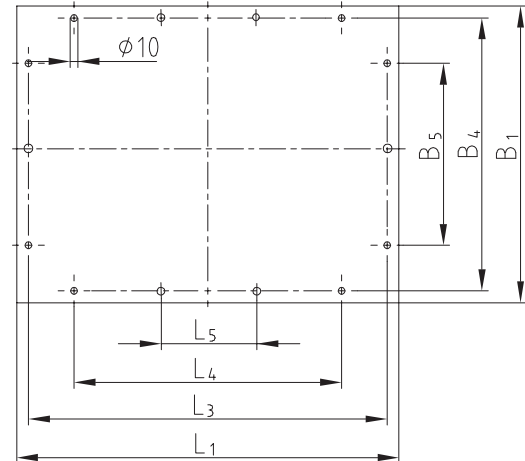
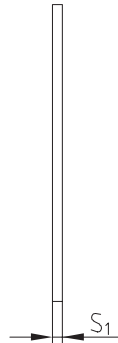
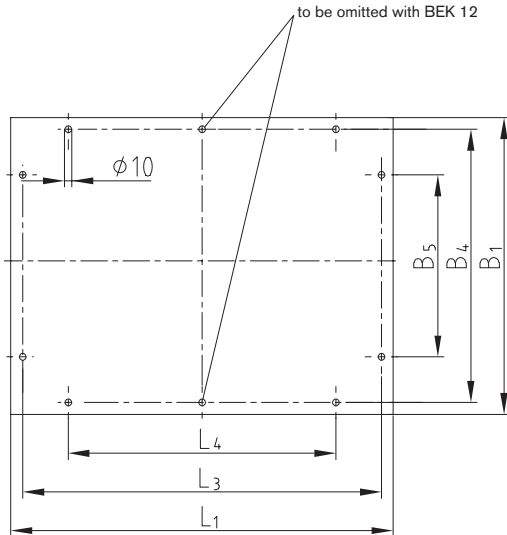
● = Standard programme available from stock and in short term.

Ordering example:	BEK	100	E
	KTR standard tank	Nominal size of tank	Cover type "E"

Tank cover
Cover type E

up to NG 75

from NG 100



Cover type "E"									
NG	Dimensions [mm]								Number of bores
	S ₁	L ₁	B ₁	L ₃	B ₄	L ₄	B ₅	L ₅	
12	4	310	298	279	267	160	148	-	8
20	4	400	298	369	267	250	148	-	10
35	5	470	298	439	267	320	148	-	10
50	5	500	388	469	357	350	238	-	10
60	5	550	388	519	357	400	238	-	10
75	5	550	388	519	357	400	238	-	10
100	6	700	388	669	357	550	238	184	10
150	6	750	488	719	457	600	338	200	10
225	8	900	588	869	557	750	438	250	10
300	8	900	688	869	657	750	538	250	10

Scope of delivery:

- bore pattern for filler filter KE02
- bore pattern for oil level indicator
- cleaning cover incl. cap nut and gasket
- cover seal NBR 15 x 5 self-adhesive
- cover fastening screws
- oil drain plug G 1"

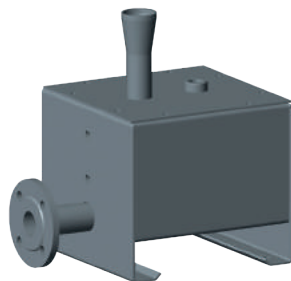
Coating:

- Our tanks are primed with mineral oil-resistant 2K-EP paint as a standard

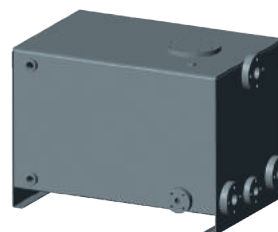
Please contact us:

- Tanks are available without tank cover on request
- We will be pleased to paint your tanks as specified by you
- We will be pleased to do remachining (e. g. additional sleeves, drilling holes, etc.)
- Accessories such as fillers, oil level indicators, heaters, etc. can be additionally ordered from the KTR delivery range
- We are able to produce all tanks made of stainless steel

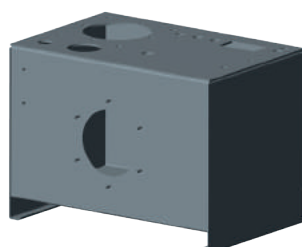
Tanks type BEK with remachining



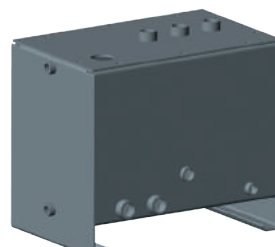
BEK 50



BEK 150



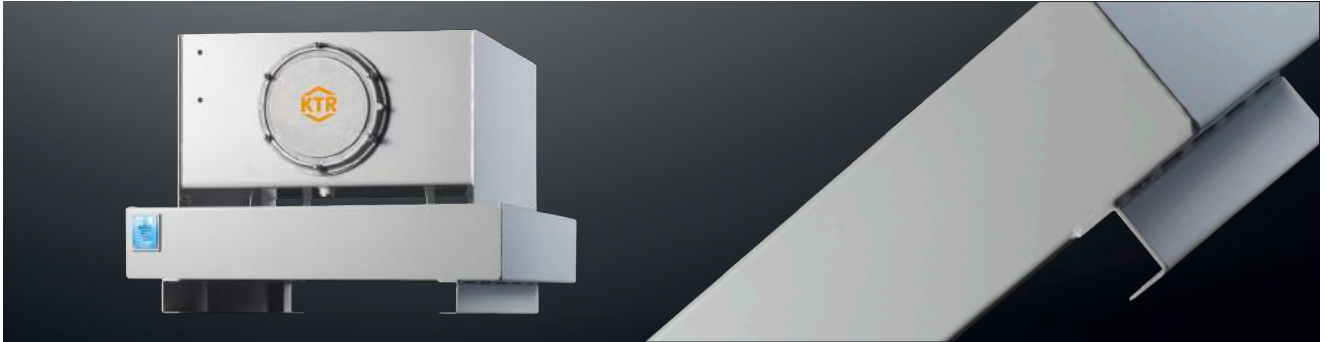
BEK 225



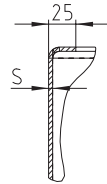
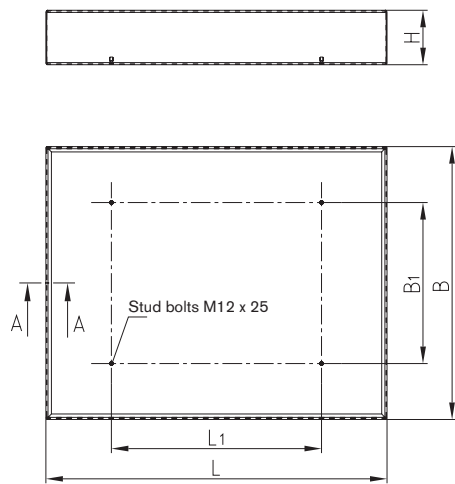
BEK 100

OIL SUMP PANS HYDRAULIC COMPONENTS

Oil sump pans for steel tanks



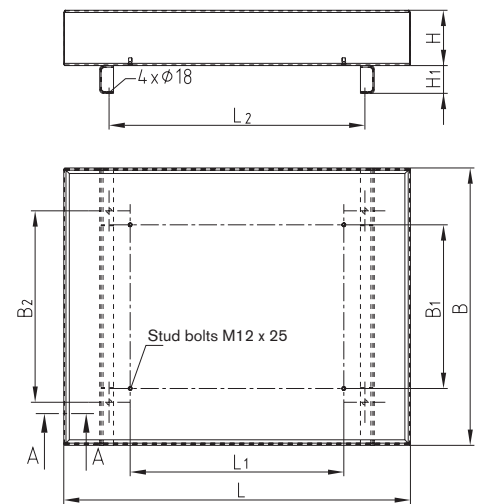
Oil sump pan without feet



A - A
1:2

Distance dimensions L₁ and B₁ for stud bolts see table

Oil sump pan with feet



Oil sump pans for **BEK tanks** on request.

All oil sump pans available with **type plate and certificates** following **WHG (Water Resources Act)** at an extra charge (please specify in your order).

Oil sump pan for BSK and BNK													
Order description	Effective vol. [Litre]	Weight [kg]		Tank dimensions [mm]									
		Without feet	With feet	L	L ₁		L ₂	B	B ₁		B ₂	H	H ₁
					BSK	BNK			BSK	BNK			
63	74	22	30	700	428	308	420	600	315	285	365	200	100
100	105	29	38	850	553	39	545	700	414	360	460	200	100
160	160	36	47	1000	730	570	722	800	544	490	590	200	100
200	200	42	54	1100	820	-	812	850	594	-	640	220	100
250	250	50	64	1250	930	770	922	1000	644	590	690	200	100
300	300	57	69	1400	1128	-	1120	900	654	-	700	250	100
400	400	72	87	1720	1434	1274	1426	980	689	635	735	250	100
630	630	93	112	1810	-	1274	1426	1190	-	845	945	300	100
800	800	110	138	2410	-	1774	1926	1190	-	800	900	300	100
1000	1000	123	155	2420	-	1774	1926	1380	-	965	1065	300	100
1250	1250	156	184	2380	-	1774	1926	1770	-	1235	1335	300	100
1600	1600	322	352	2580	-	1774	1926	2070	-	1330	1530	300	100
2000	2000	409	440	3200	-	2074	2402	2200	-	1504	1704	300	100

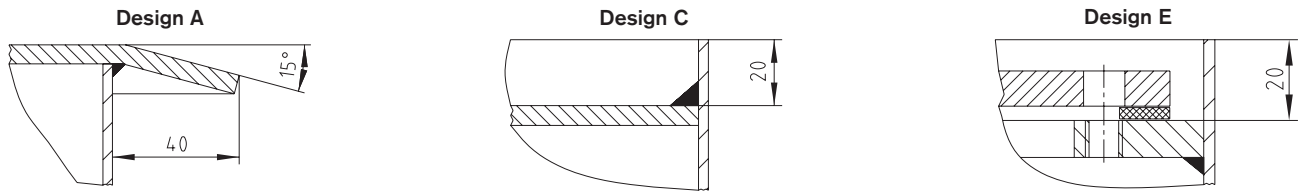
All oil sump pans available from stock

Ordering example:	Ö	63	BSK	F
	Oil sump pan	Nominal size of tank	Tank type	F = with feet O = without feet

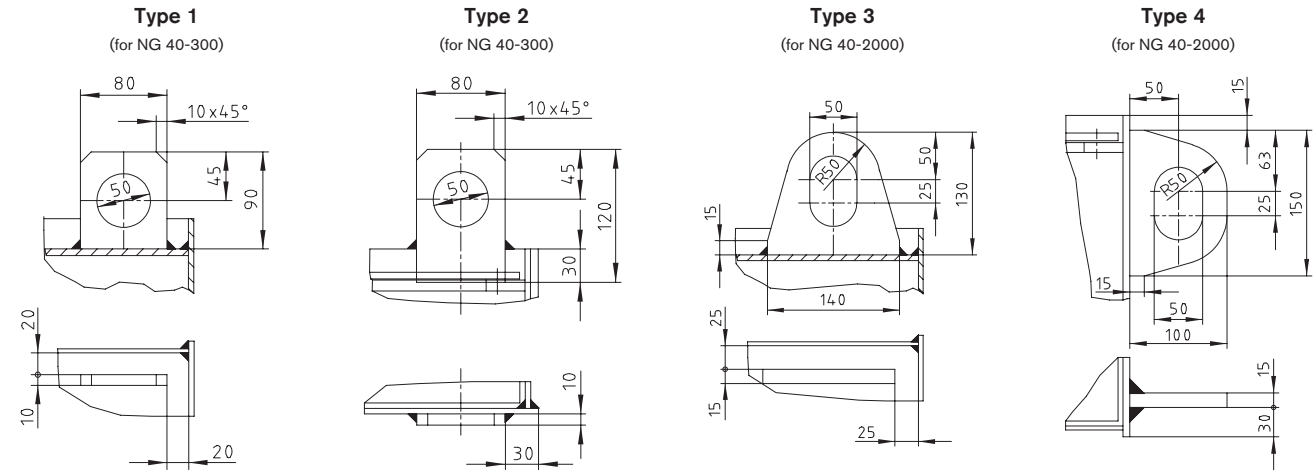
STEEL TANKS TYPE BNK HYDRAULIC COMPONENTS

Cover design, transport eyes, separation sheet metals and seams

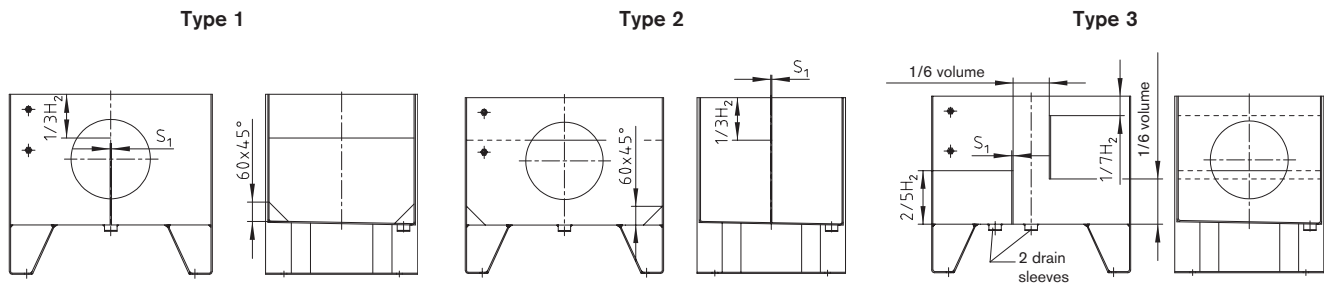
Cover designs for DIN tanks of the BKN series:



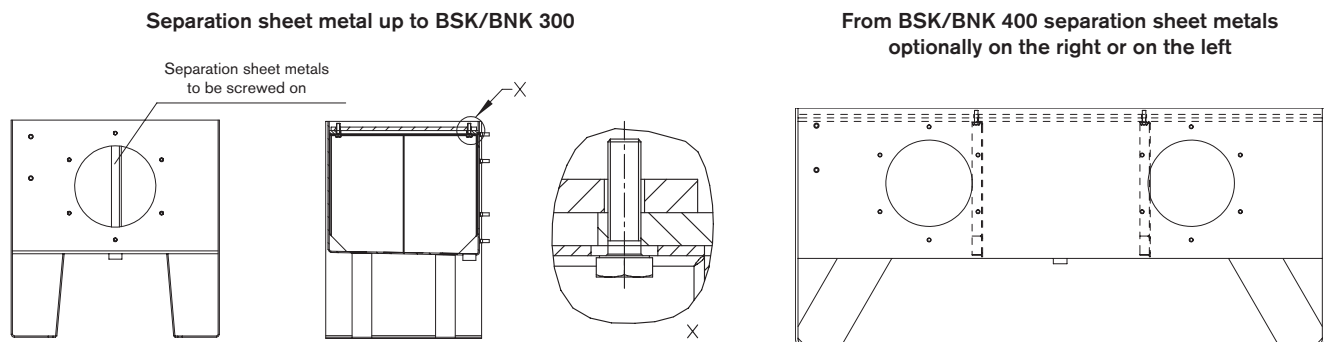
Transport eyes:



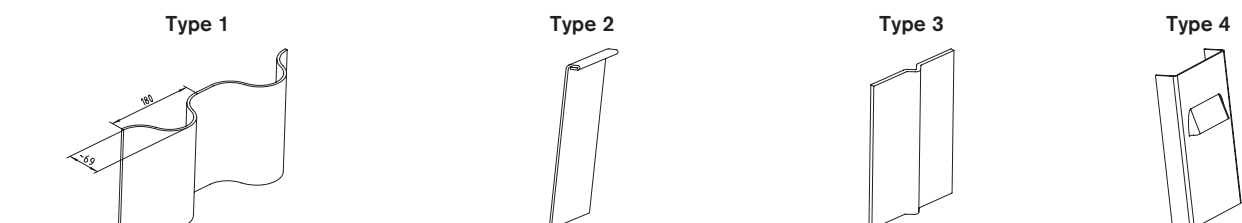
Separation sheet metals:



Separation sheet metals to be screwed on:



Seams:



CERTIFICATES

Our approvals and skills

- ISO 9001 : 2008 quality management
- Specialised company in compliance with Water Resources Act
- Welding certification acc. to EN 1090 EXC3 (previously DIN 18800) incl. CE symbol of welded components as per ZA 3.2 and ZA 3.4
- Certificate acc. to DIN EN 15085-2 CL1 (previously DIN 6700-1) for rail vehicles and vehicle components
- Approval for defence technology acc. to DIN 2303 category Q1 and Q2
- Pressure tanks acc. to AD 2000 HP0 and DRG 97/23/EC
- Quality requirements for welding acc. to DIN EN ISO 3834-2
- Marking identifying the material following directive 97/23/EG
- Welding of crane girders and crane systems acc. to DIN 15018 and DIN 4132



Welding



Dye penetrant testing



Finishing



Storage



CNC plasma cutting



Sawing



Milling



Tilting



Deburring



Drilling



3D-measuring

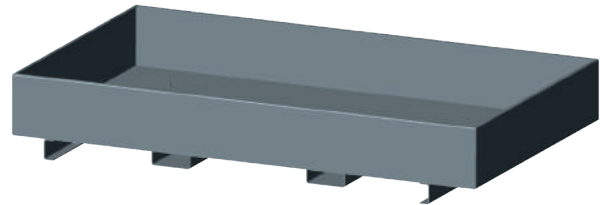
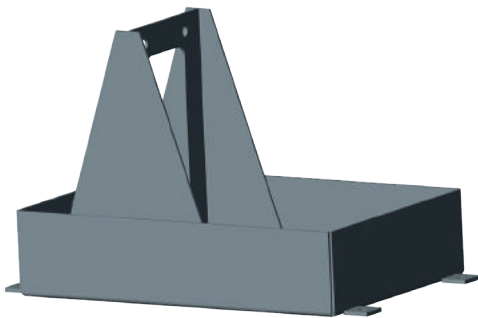
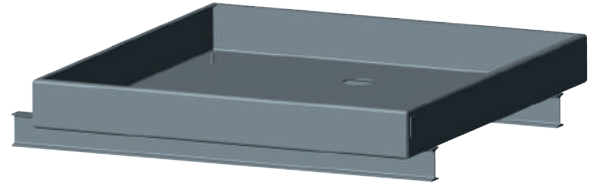
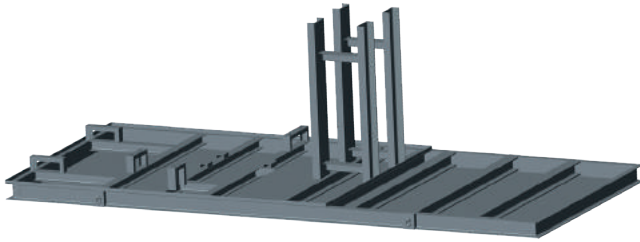


Painting

STEEL TANKS

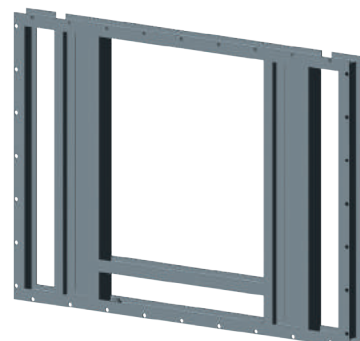
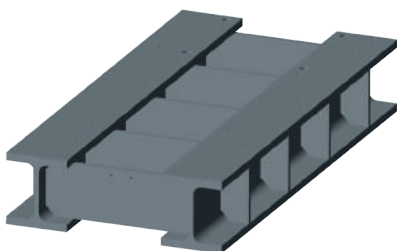
VARIANTS/SPECIAL TYPES

Oil sump pans with and without base frames



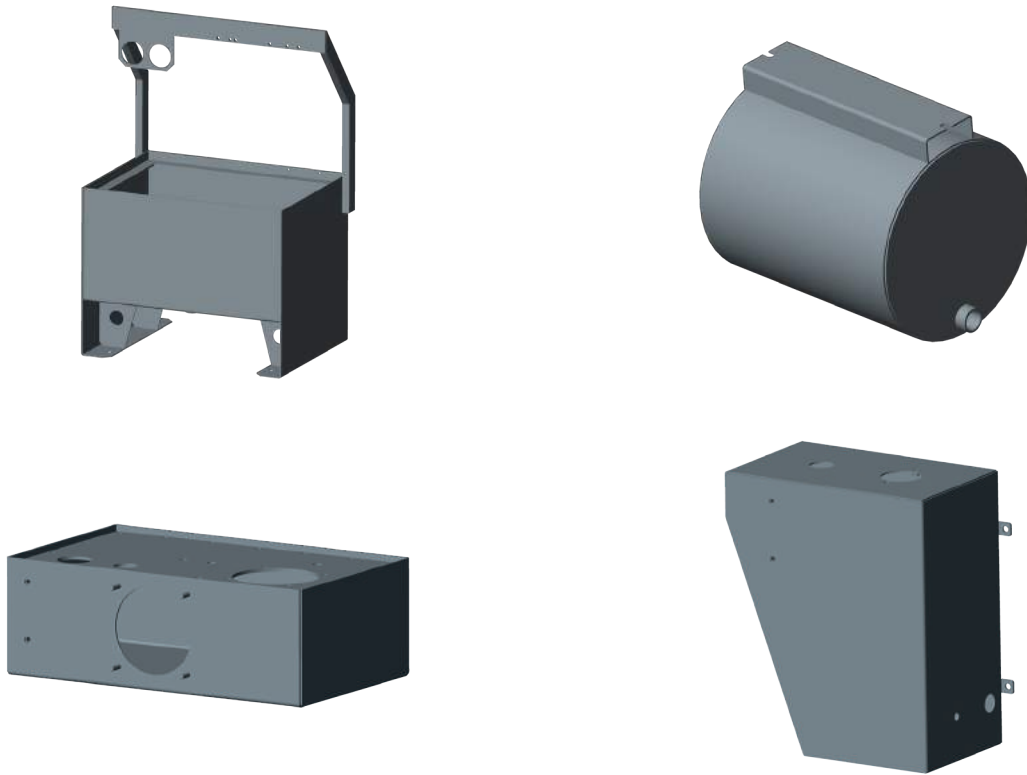
Also available in material stainless steel.

Base frames and stands



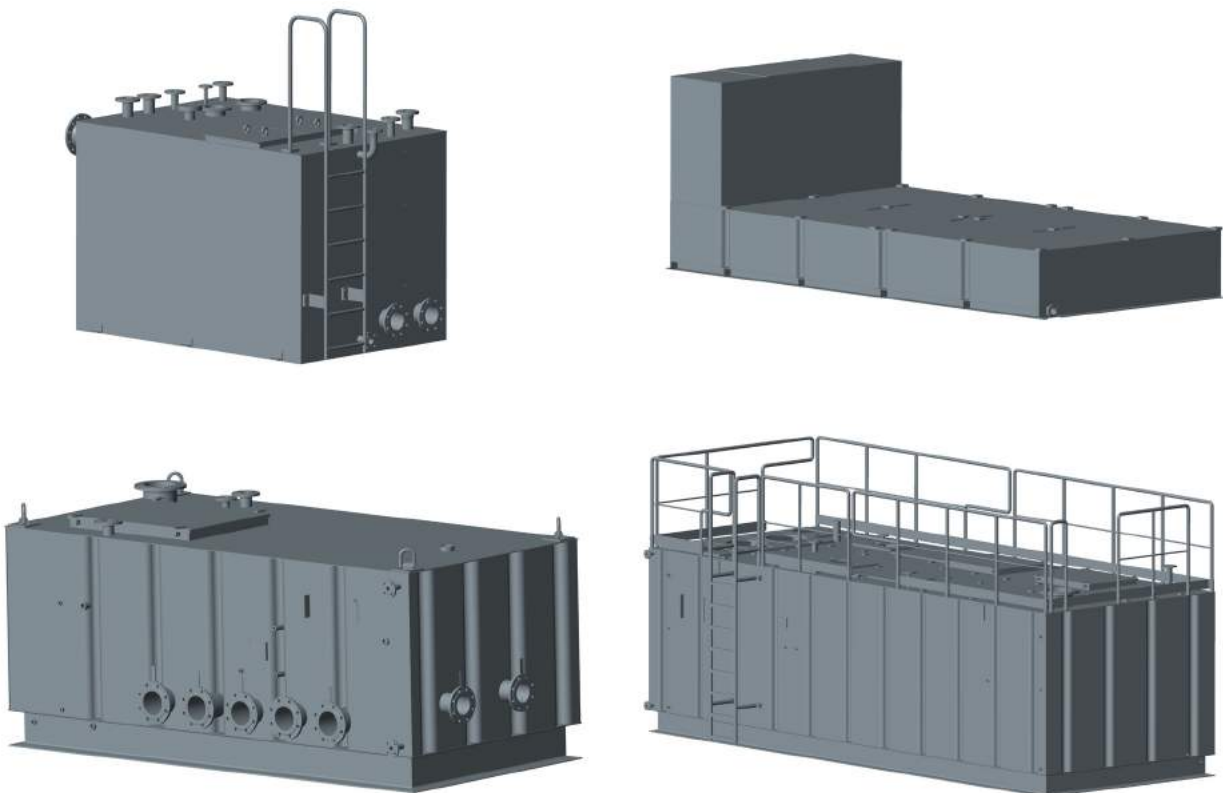
Also available in material stainless steel.

Special tanks 6-1000 l



Also available in material stainless steel.

Special tank up to 130,000 l



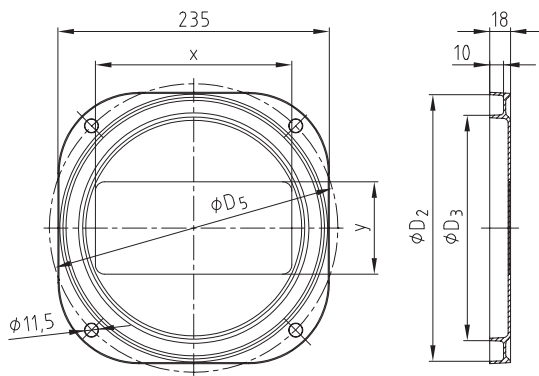
Also available in material stainless steel.

ACCESSORIES FOR OIL TANKS HYDRAULIC COMPONENTS

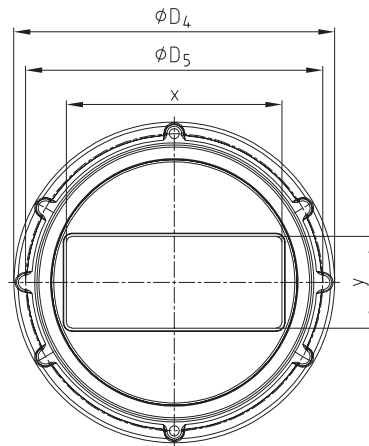
Cleaning cover



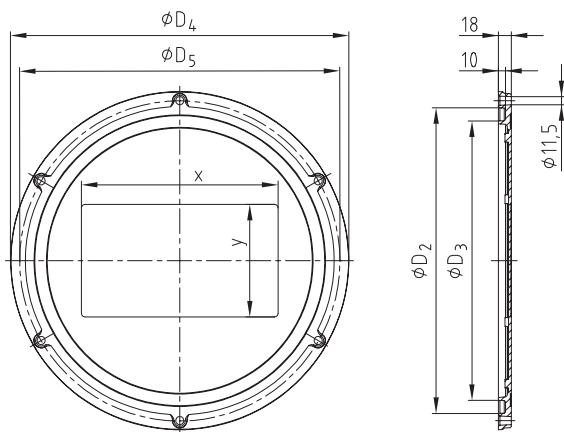
Cleaning cover V250-4 PRD



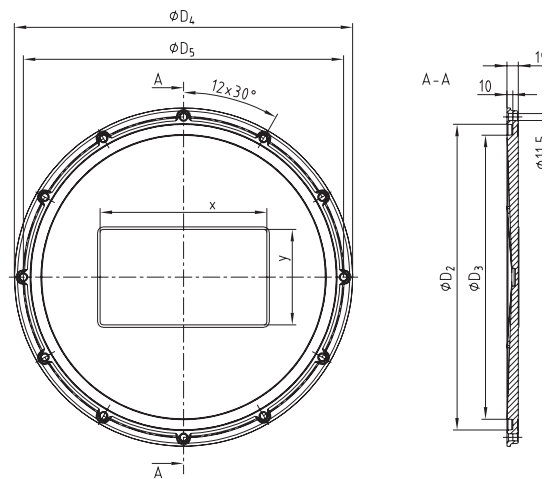
Cleaning cover V324-6 acc. to DIN 24339



Cleaning cover V449-6 acc. to DIN 24339



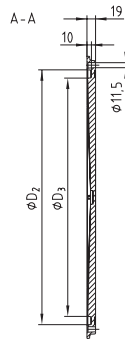
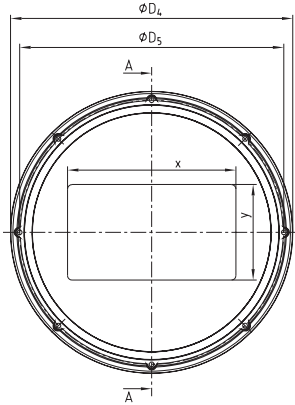
Cleaning cover V530-12



Technical data				
Screw tightening torque	Max. permissible pressure	HFC liquids	Perm. temperature range	Logo
10 Nm	0.5 bar	Order suffix/HFC	-30 °C to +100 °C	On request

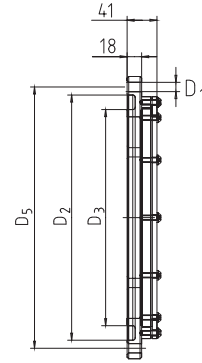
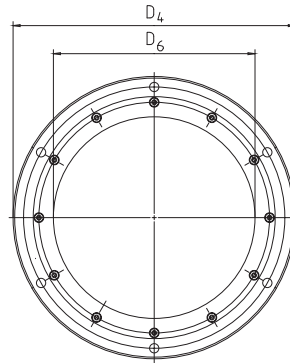
Ordering example:	V324-6/W	PRD 393 NBR
	Cleaning cover	Spline seal

Cleaning cover V580-8



Cleaning covers

Type W aluminium/polycarbonate (inspection glass)

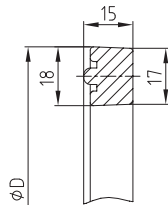


- Screw tightening torque max. 10 Nm
- Max. permissible pressure = 0.5 bar
- Permissible temperature range type W -20 °C to +90 °C

Cleaning cover

Size	Dimensions [mm]								
	D ₁	D	D ₃	D ₄	D ₅	Inspection glass	Number of bores	x	y
V250-4 PRD		229	193	-	250	-	4	170	80
V324-6 / V324-6 HFC		304	268	350	324	-	-	235	100
V324-6 mould *		304	268	350	324	-	-	-	-
V324-6 /W	11.5	304	268	350	324	Ø250	6	276	158
V449-6 / V449-6 HFC		429	393	475	449	-		276	158
V449-6 /W		429	393	475	449	Ø250	-	-	-
V530-12 / V530-12 HFC		505	471	560	530	-	12	276	158
V580-8 / V580-8 HFC		560	523	620	580	-	8	370	210

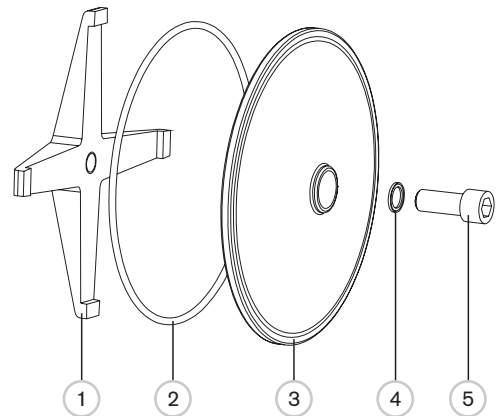
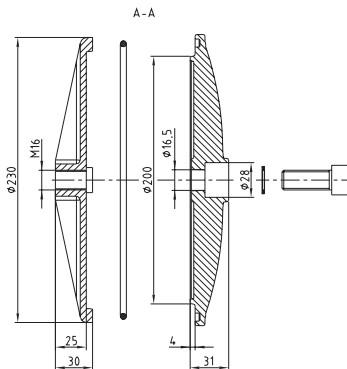
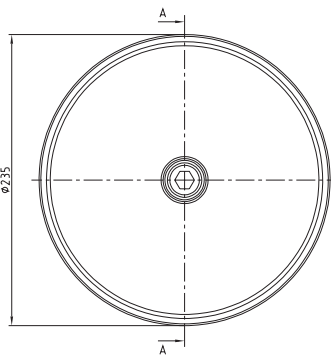
* Cover with mounting by 4 holes on request.



Gaskets for cleaning covers

Size	For cleaning cover	D [mm]
PRD 193 NBR	PRD 193 FKM	V250- PRD
PRD 268 NBR	PRD 268 FKM	V324
PRD 393 NBR	PRD 393 FKM	V449
PRD 471 NBR	-	V530
PRD 525 NBR	-	V580
O-Ring 214-5 NBR	215-5 FKM	V235

Cleaning cover V235

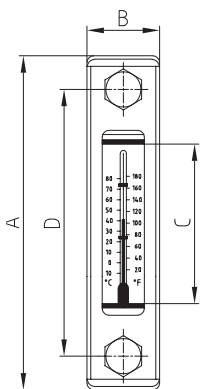


List of components:

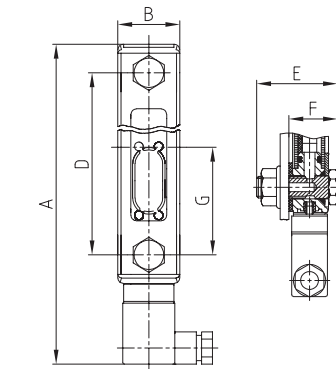
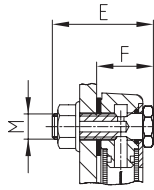
- 1 Fixing cross
 - 2 O-Ring 214 x 5
 - 3 Cover
 - 4 Gasket Usit 22 x 16
 - 5 Screw M 16 x 40 tightening torque max. 40 Nm
- Perm. temperature range -30 °C to +100 °C

ACCESSORIES FOR OIL TANKS HYDRAULIC COMPONENTS

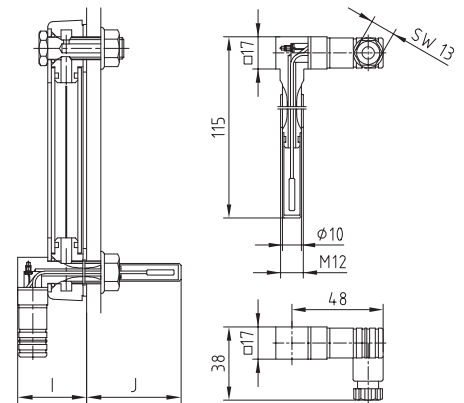
Oil level indicator



With (KOT) and without (KO) temperature indicator



With visual/electrical monitoring of liquid level in the tank
KOO/KOS



Combined with temperature switch
TS60, TS70 or TS80

Oil level indicator										
Designation	Dimensions [mm]								With TS	
	A	B	C	D	E	F	M	G	I	J
KO 01 / KOT 01	108		37	76				—	39	76
KO 02 / KOT 02	159		76	127				—	47	68
KOO 02 / KOS 02	205	34	76	127	45	26	M12	50	47	68
KO 03 / KOT 03	286		203	254				—	39	76

Technical data:

KOT 01: Display range +20 °C to +80 °C
 KOT 02: Display range +20 °C to +80 °C
 KOO: Electric switch as break contact
 KOS: Electric switch as make contact
 Operating range: -10 °C to +80 °C

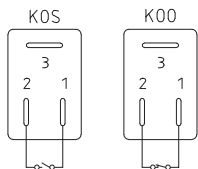
Recommended screw tightening torque: 8 Nm
 Preload pressure of tank: max. 0.8 bar

Technical data (break contact/NC) of temperature switch:

Switching temperature: TS60: Switching temperature 60 °C/140 °F
 TS70: Switching temperature 70 °C/158 °F
 Switching temperature 80 °C/176 °F

Hysteresis: 20 °C
 Tolerance of the shifting temperature: ± 5 °C

Electrical connections and functions:



Contact load:

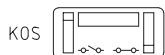
KOS max. 10 W
 KOO max. 5 W

Switching voltage:

50V AC/DC
 Terminal 3 not assigned

Switching current:

KOS max. 0.50 A
 KOO max. 0.25 A
 Wiring box with PG9
 Protection class IP65
 Terminal 3 not assigned

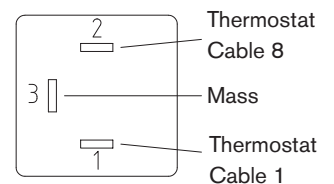


AC current:

- Max. voltage -250V
- Max. current with 10,000 circuits
 2.5 A with $\cos \phi = 1.0$
 1.6 A with $\cos \phi = 0.6$
- Max. current with 100,000 circuits
 0.5 A with $\cos \phi = 1.0$
 ~0.25 A with $\cos \phi = 0.6$
- Min. switching current 50 mA

DC current:

- Max. voltage 42V
- Max. current with 10,000 circuits 1 A



Ordering example:

KO	02	+ TS80
Type [KO, KOT KOO or KOS]	Size [01, 02 or 03]	With temperature switch [TS60, TS70 or TS80]